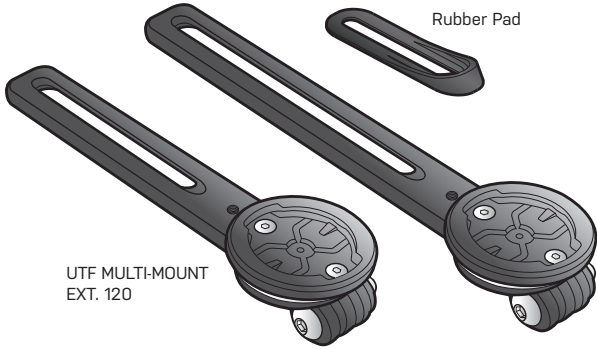




UTF MULTI-MOUNT FITS INTEGRATED COCKPITS (EXT.150 / EXT.120)

PREPARE TO RIDE

EN

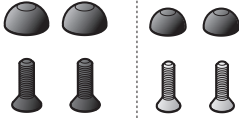


UTF MULTI-MOUNT
EXT. 120

UTF MULTI-MOUNT
EXT. 150

Screw A
M5 X 25mm
3mm Allen Key

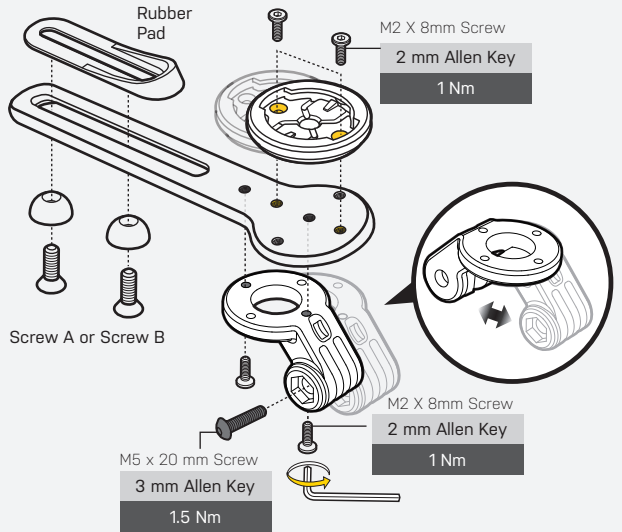
Screw B
M4 X 25mm
2.5mm Allen Key



Maximum Weight Capacity

150 g / 5.3 oz

MULTIPLE BOLT POSITION TO ADJUST

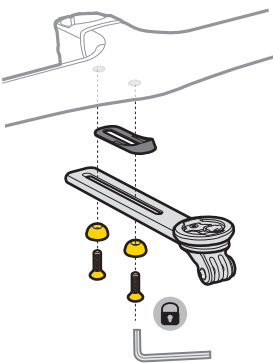


INSTALLATION OF COCKPIT CENTER MOUNT

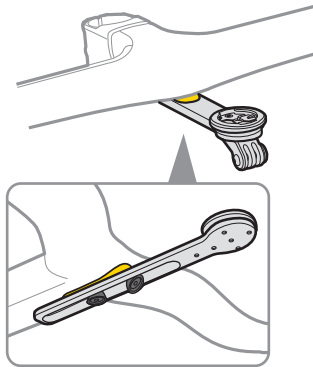
Garmin® Edge / Wahoo® / Sigma® GPS cycle computers, Topeak CubiCubi front lights, WhiteLite® 800 BT, WhiteLite® HP 500, HeadLux 450 USB, HeadLux 100 USB, and GoPro® series

* Handlebar Compatibility: Shimano® Pro Stealth, FSA® Plasma, Ritchey® WCS Solostream, SCOTT® SYNCROS® RR1.0 Carbon Aero 420 Bar/Stem, Most* Talon, Canyon® H31, and CP Series

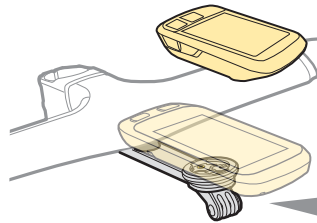
1 Choose Screw A or B to install Cockpit Center Mount



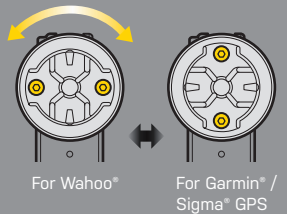
2



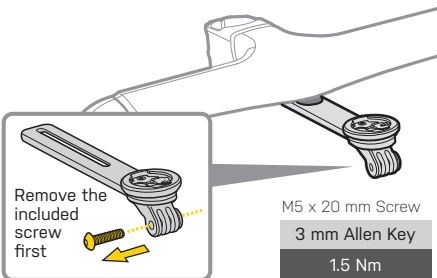
3 Install device (Garmin® Edge / Wahoo® / Sigma® GPS cycle computers) with quarter-turn mounts



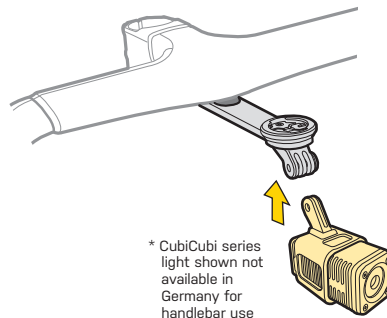
ROTATION ADJUSTABLE



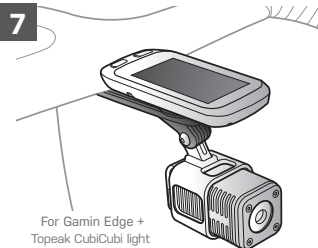
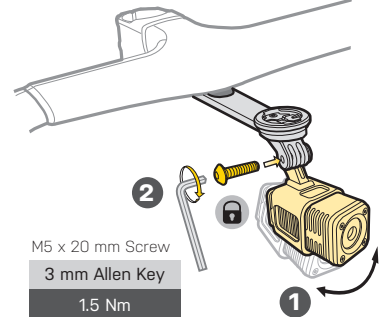
4 Mount GoPro camera, and Topeak front light system



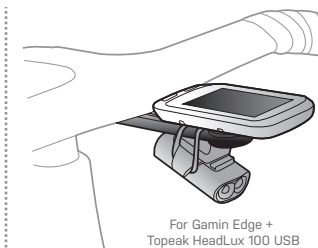
5 Install Topeak CubiCubi front light on mount



6 Adjust for proper angle and tighten Screw with 3mm Allen Key



For Gamin Edge +
Topeak CubiCubi light



For Gamin Edge +
Topeak HeadLux 100 USB

WARRANTY

2-year Warranty: All mechanical components against manufacturer defects only.

Warranty Claim Requirements

To obtain warranty service, you must have your original sales receipt. Items returned without a sales receipt will assume that the warranty begins on the date of manufacture. All warranties will be void if the product is damaged due to user crash, abuse, system alteration, modification, or used in any way not intended as described in this manual. * The specifications and design are subject to change without notice. Please contact your Topeak dealer with any questions. For USA customer service call: 1-800-250-3068 www.topeak.com

Garmin® Edge is a registered trademark of Garmin® Inc. GoPro® is a registered trademark of GoPro, Inc. Wahoo® is a registered trademark of Wahoo Fitness. Garmin® is a registered trademark of Garmin Ltd. Shimano® is a registered trademark of Shimano Inc. SRAM® is a registered trademark of SRAM Inc. FSA® is a registered trademark of Full Speed Ahead Inc. Ritchey® is a registered trademark of Ritchey Design Inc. Scott® and SYNCROS® are the registered trademarks of SCOTT Sports SA. Most® is a registered trademark of Cidi Pinarello SRL. Canyon® is a registered trademark of Canyon Bicycles GmbH. Sigma® is a registered trademark of SIGMA-ELEKTRO GmbH.