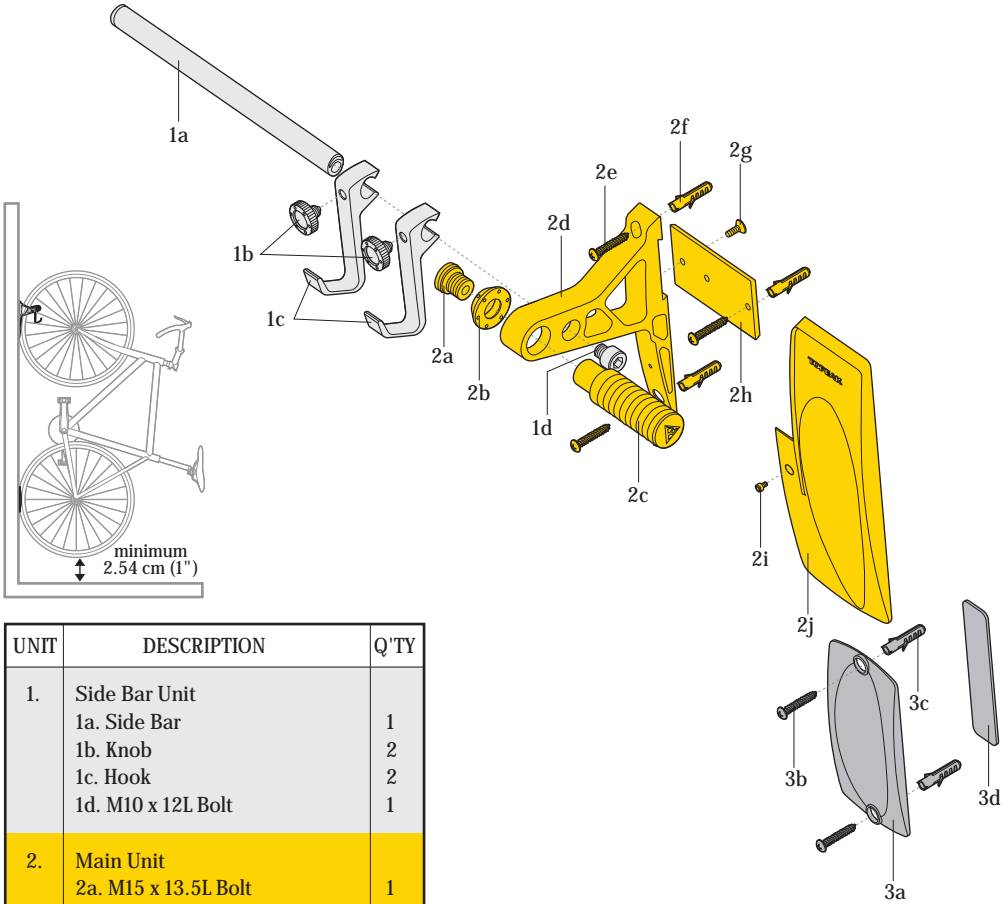
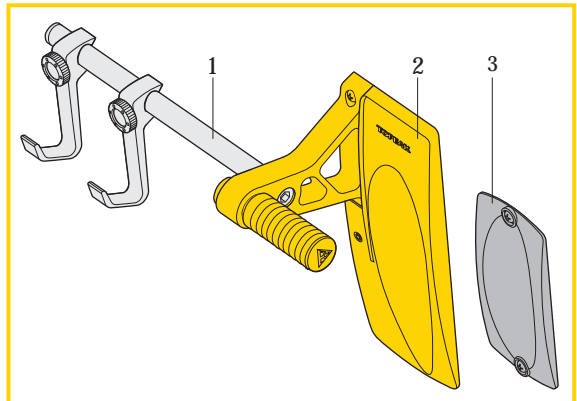




PARTS LIST

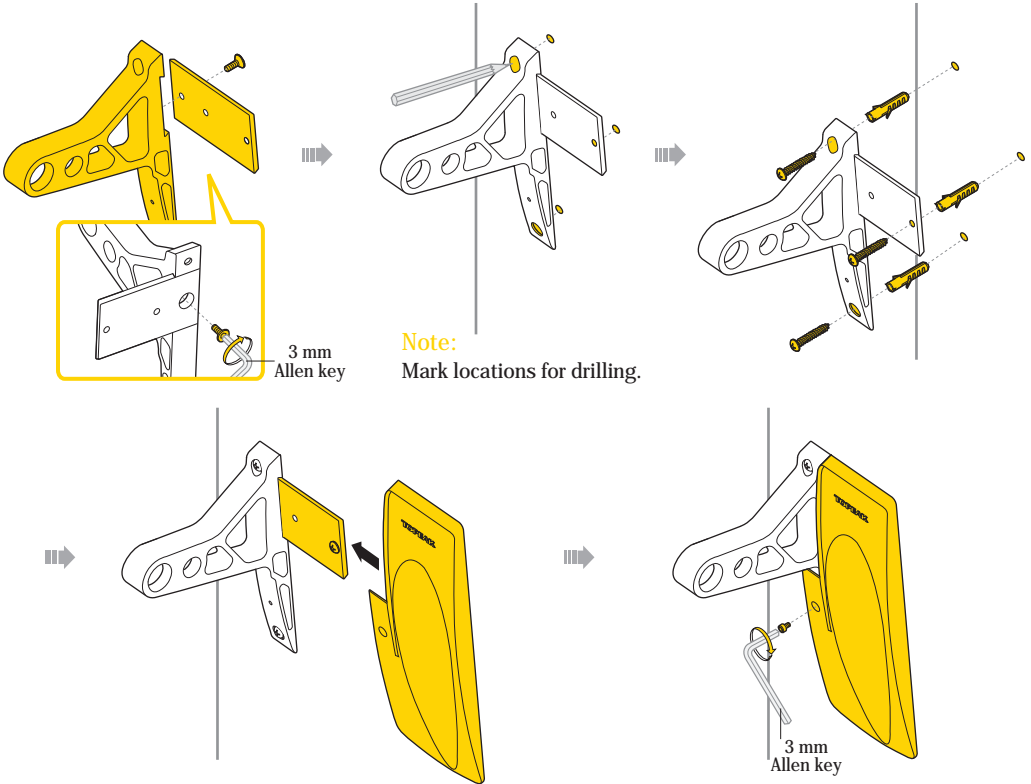


UNIT	DESCRIPTION	Q'TY
1.	Side Bar Unit	
	1a. Side Bar	1
	1b. Knob	2
	1c. Hook	2
	1d. M10 x 12L Bolt	1
2.	Main Unit	
	2a. M15 x 13.5L Bolt	1
	2b. Spacer	1
	2c. Front Wheel Fixed Bar	1
	2d. Bracket	1
	2e. $\phi 4.5 \times 34L$ Screw	3
	2f. $\phi 7 \times 37L$ Wall Plug	3
	2g. M5 x 14L Bolt	1
	2h. Metal Plate	1
	2i. M4 x 6L Bolt	1
2j. Front Wheel Holder	1	
3.	Rear Wheel Holder Unit	
	3a. Rear Wheel Holder	1
	3b. $\phi 4.5 \times 34L$ Screw	2
	3c. $\phi 7 \times 37L$ Wall Plug	2
	3d. Adhesive Strip	1

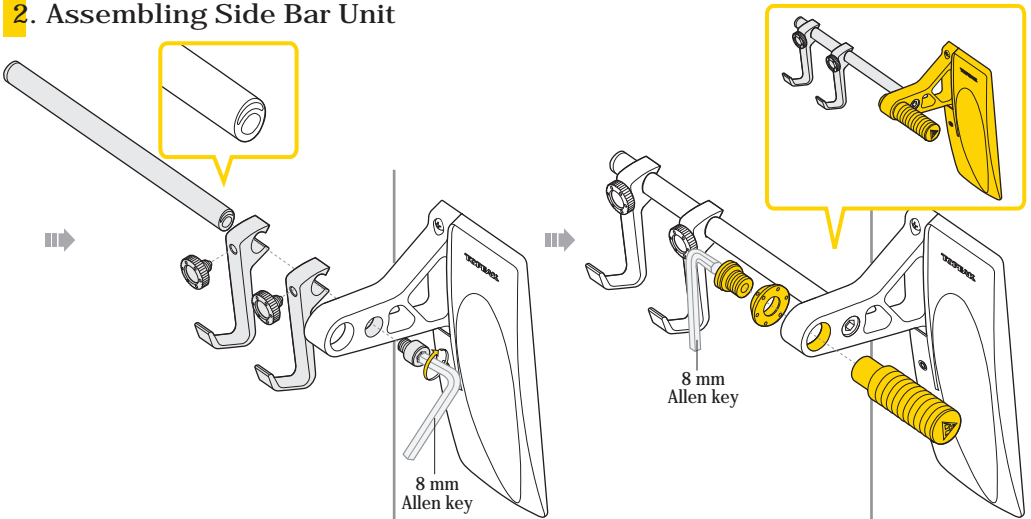


* Tools Required: 3 mm Allen key, 8 mm Allen key and Phillips screw driver

1. Assembling Main Unit



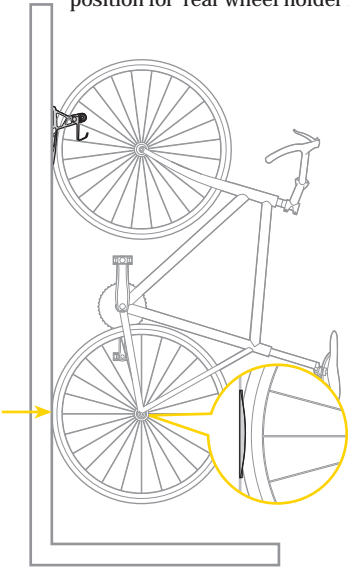
2. Assembling Side Bar Unit



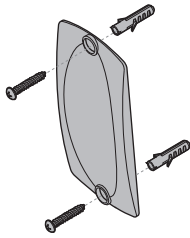
3. Assembling Rear Wheel Holder Unit

Note:

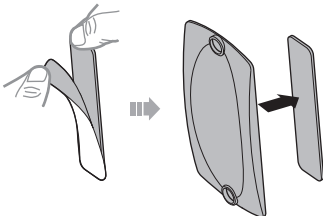
Hang the bike on main unit and mark the rear wheel position for rear wheel holder installation.



Option A

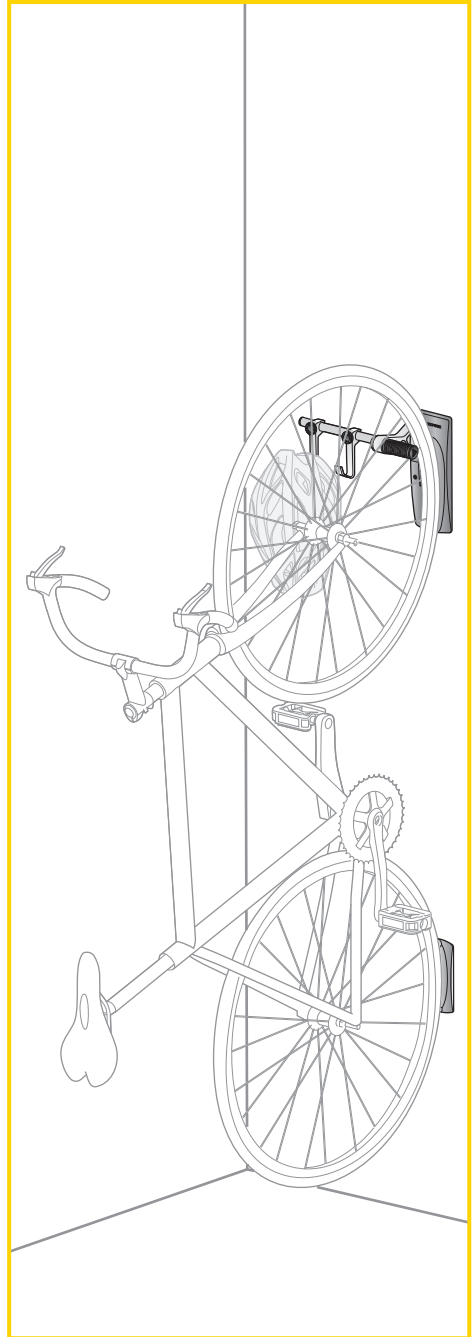


Option B



Note:

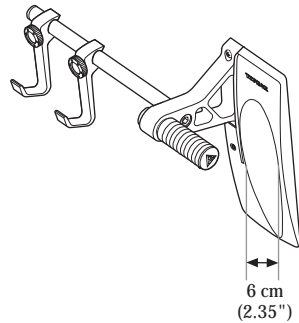
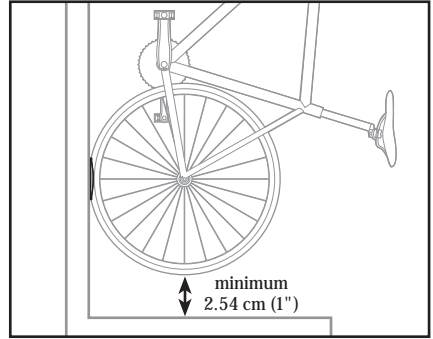
Two options for installing rear wheel holder; screws or adhesive strip.



* Helmet is not included.

WARNING

1. DO NOT INSTALL OneUp bike holder on unsupported wall surfaces, plasterboard or paneling. Make sure OneUp is mounted to a solid stud, beam, or wall. Be careful to avoid electrical, gas, or water pipes and conduits.
2. The bottom wheel must have a ground clearance of 1" (2.54 cm) when a bike is in the OneUp bike holder.
3. Inspect the OneUp installation carefully before hanging a bike. Failure to check the mounting securely can result in possible bodily harm and bicycle damage.
4. When hanging a bike, check to see that both wheels are properly inserted in their respective holders.
5. Maximum tire width: 6 cm (2.35")
6. Maximum weight capacity: 16 kgs (35 lbs)



WARRANTY

2-year Warranty: All mechanical components against manufacturer defects only.

Warranty Claim Requirements

To obtain warranty service, you must have your original sales receipt. Items returned without a sales receipt will assume that the warranty begins on the date of manufacture. All warranties will be void if the product is damaged due to user abuse, system alteration, modification, or used in any way not intended as described in this operating manual.

*The specifications and design are subject to change without notice.

Topeak products are available only from professional bicycle shops.
Please contact your nearest Topeak authorized bicycle dealer for any questions.
For customers in the USA, call: 1-800-250-3068 Website: www.topeak.com