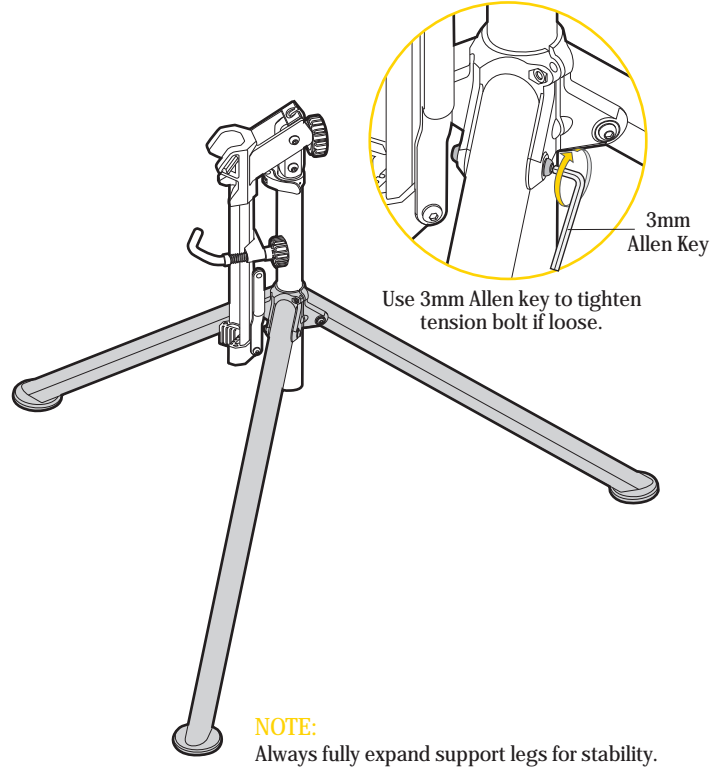
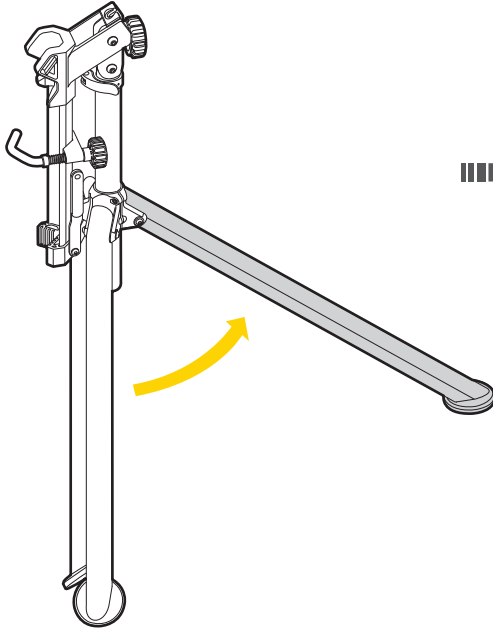
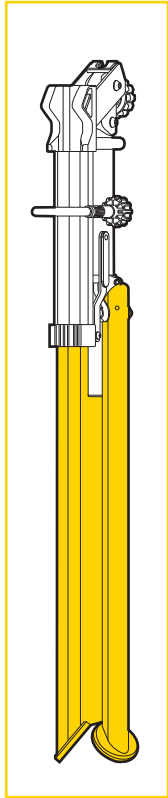
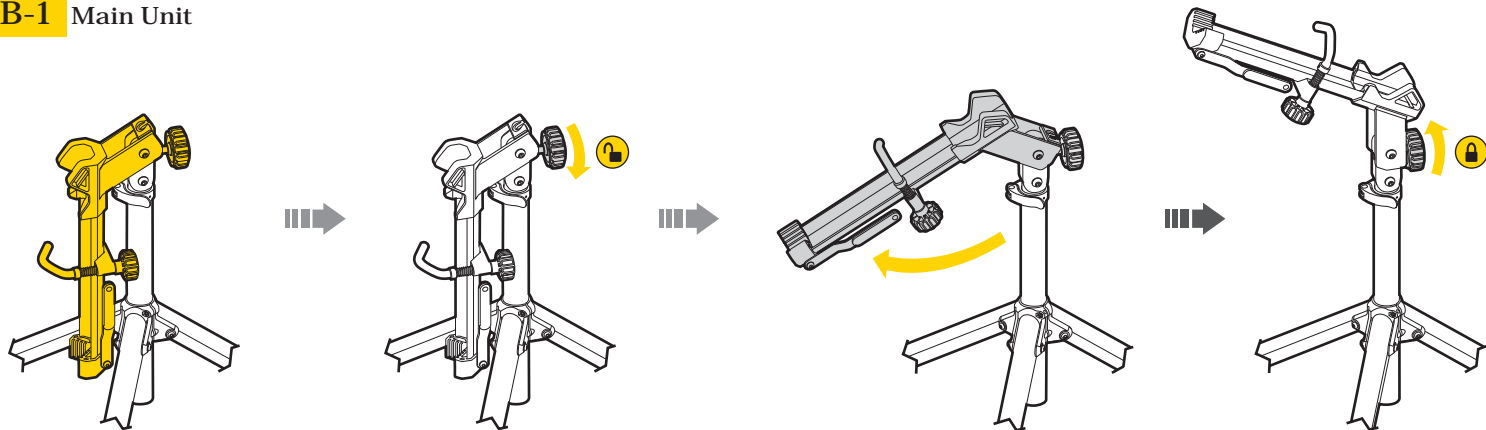


PARTS LIST

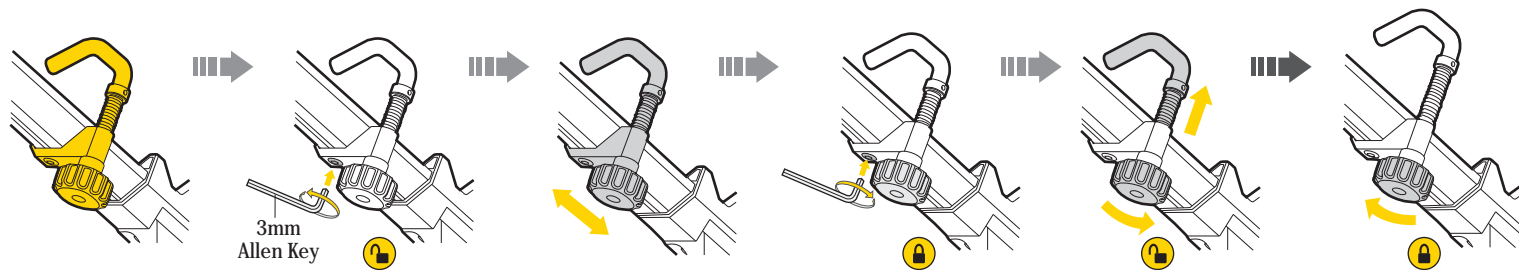
1. Main Unit
 - 1a. Front Wheel Stabilizer
 - 1b. Down Tube Support Unit
 - 1c. Down Tube Binding Unit
 - 1d. Bottom Bracket Support Unit
 - 1e. Fold/Unfold Knob
2. Bike Height Adjusting Lever
3. Support Legs



B-1 Main Unit



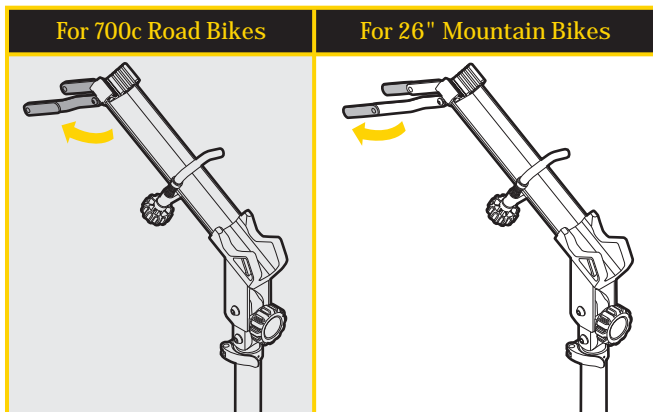
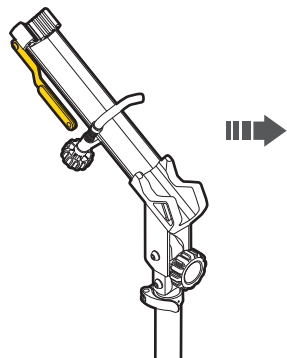
B-2 Down Tube Binding Unit



SET UP

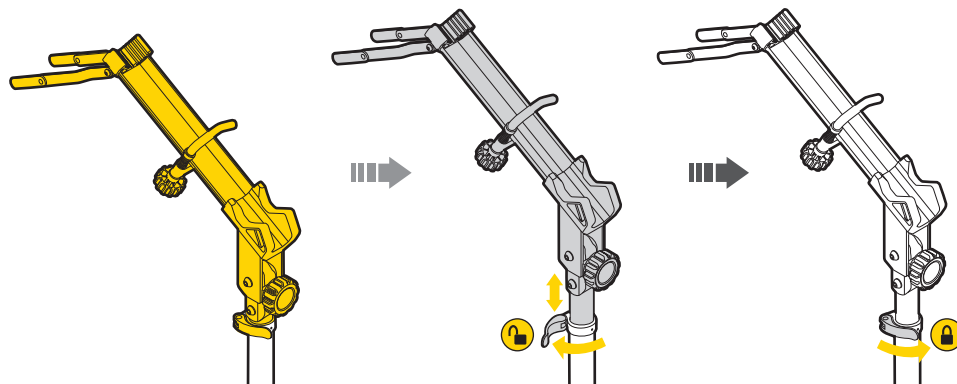
B. MAIN UNIT

B-3 Front Wheel Stabilizer



SET UP

C. BIKE HEIGHT ADJUSTMENT



FEATURES

- ▼ Tough 6061 T6 aluminum tubing.
- ▼ Low and wide base provides stability.
- ▼ Bike height adjusting lever for easy height adjustments.
- ▼ Equipped with front wheel stabilizer.
- ▼ Holds your bike securely at the bottom bracket and down tube.
- ▼ Suitable for all types of frames with adjustable down tube binding unit.
- ▼ Easy to open, fold, and store.
- ▼ Maximum loading: 55 lbs (25 kgs).
- ▼ Carry bag included.

BB Clamp height: 31.5" ~ 42.5" (80cm ~ 108cm)

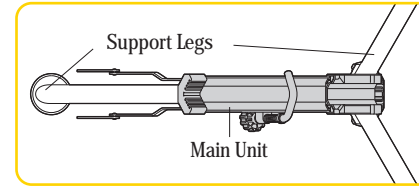
Base diameter: 40.1" (102cm)

Folded size: (LXWxH) 7.9" x 4.7" x 37.4" (20 x 12 x 95cm)

Weight: 2.4 kgs

! IMPORTANT

1. Always fully expand support legs for stability.
2. When setting up bike, make sure bike height adjusting lever is tightened securely.
3. Keep main unit parallel with one of the support legs for stability.



LIMITED WARRANTY

2-year Warranty: All mechanical components against manufacturer defects only.

Warranty Claim Requirements

To obtain warranty service, you must have your original sales receipt. Items returned without a sales receipt will assume that the warranty begins on the date of manufacture. All warranties will be void if the product is damaged due to user abuse, system alteration, modification, or used in any way not intended as described in this operating manual.

* The specifications and design are subject to change without notice.

Topeak products are available only from professional bicycle shops.

Please contact your nearest Topeak authorized bicycle dealer for any questions.

For customers in the USA, call: 1-800-250-3068 Website: www.topeak.com

Copyright © Topeak, Inc. Printed in Taiwan / 2005

M-TW008-GB 9/05