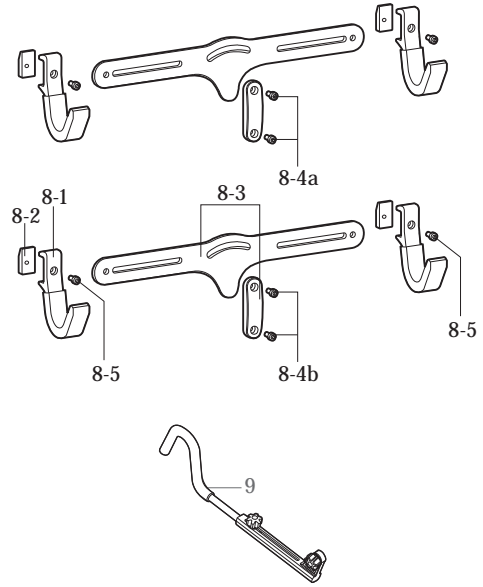
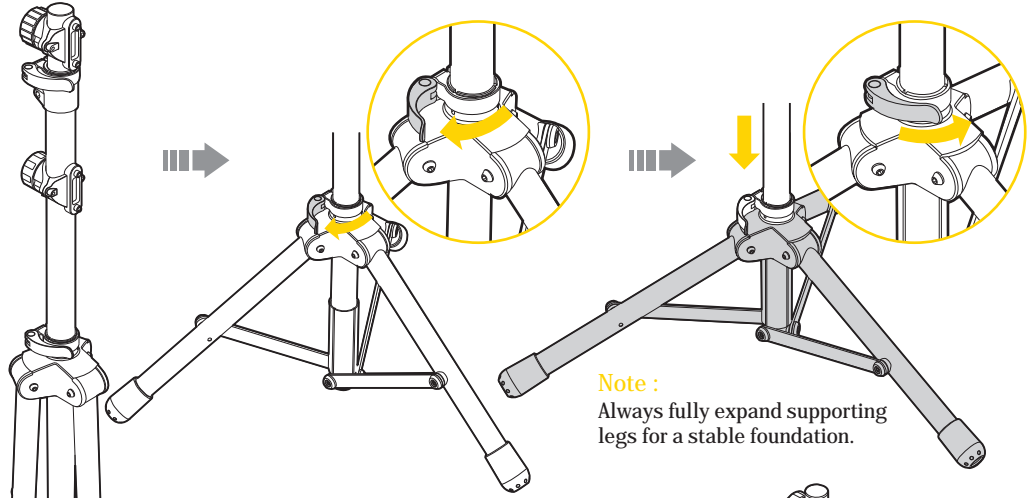


Max. Height
214 cm
(7 ft-1.5 in)

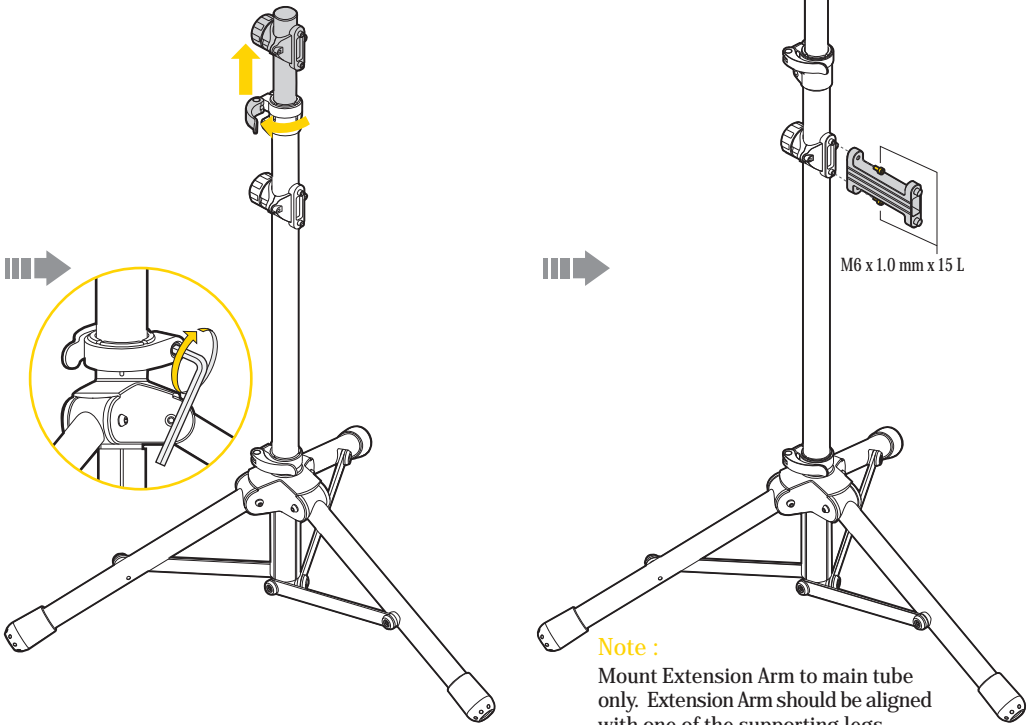


DETAILED PARTS DESCRIPTION

NO.	NAME	Q'TY
1.	Hook Unit Adaptor (ø38.1 mm) 1-1 Hook Unit Mounting Device 1-2 Adjusting Knob	1
2.	Extension Tube	1
3.	QR Clamp Lever	1
4.	Hook Unit Adaptor (ø44.0 mm) 4-1 Hook Unit Mounting Device 4-2 Adjusting Knob	1
5.	Extension Arm Set 5-1 Extension Arm 5-2 M6 x 1.0mm x 20L Bolt	1 1 2
6.	Main Tube	1
7.	Supporting Legs	
8.	Hook Unit 8-1 Hook 8-2 Hook Locking Nut 8-3 Balance Adjusting Unit 8-4a M6 x 1.0mm x 20L Bolt 8-4b M6 x 1.0mm x 20L Bolt 8-5 M6 x 1.0mm x 20L Bolt	4 4 2 2 2 4
9.	Handlebar Stabilizer	1

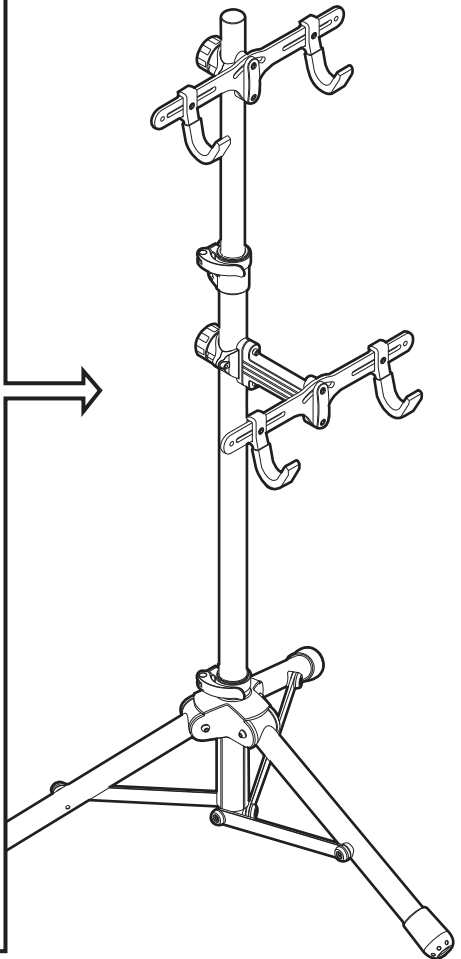
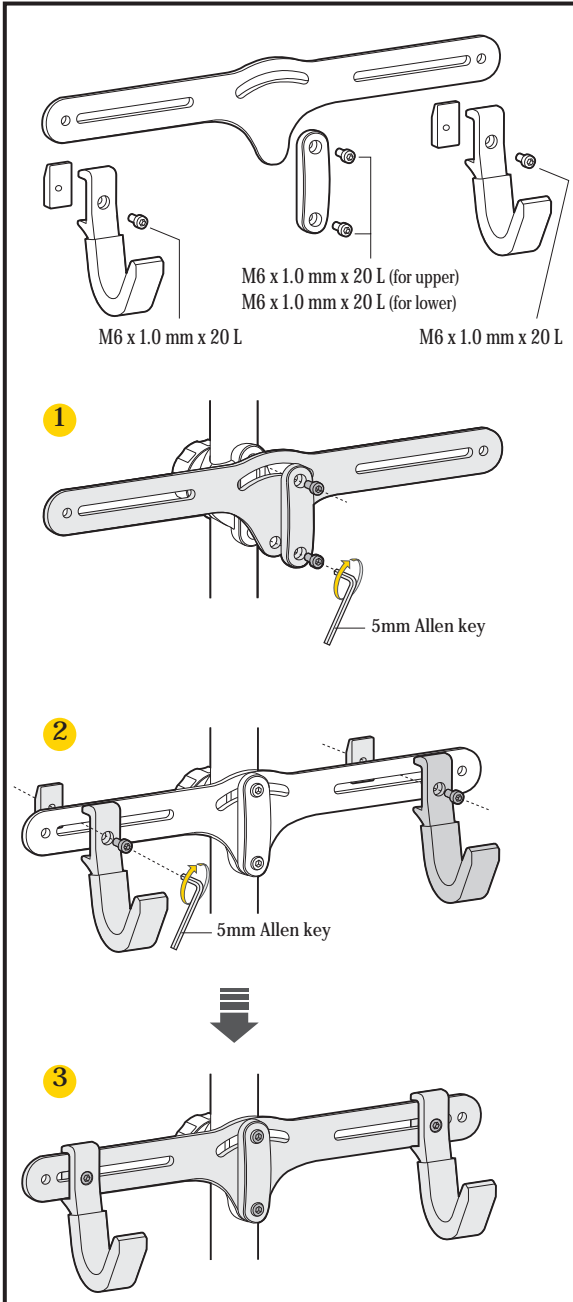


Note :
Always fully expand supporting legs for a stable foundation.

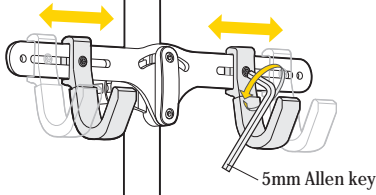


M6 x 1.0 mm x 15 L

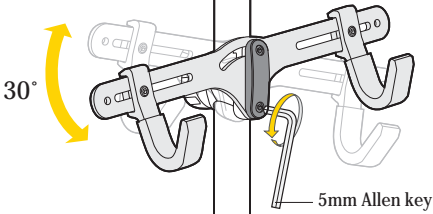
Note :
Mount Extension Arm to main tube only. Extension Arm should be aligned with one of the supporting legs.



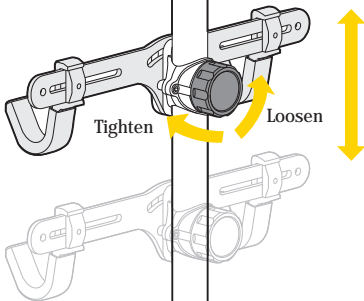
ADJUSTING HOOK POSITION



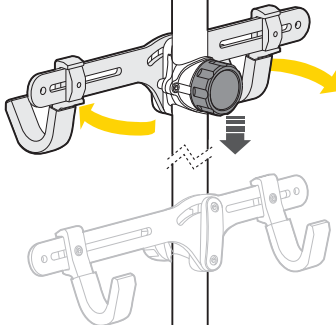
ADJUSTING HOOK ANGLE



ADJUSTING HEIGHT



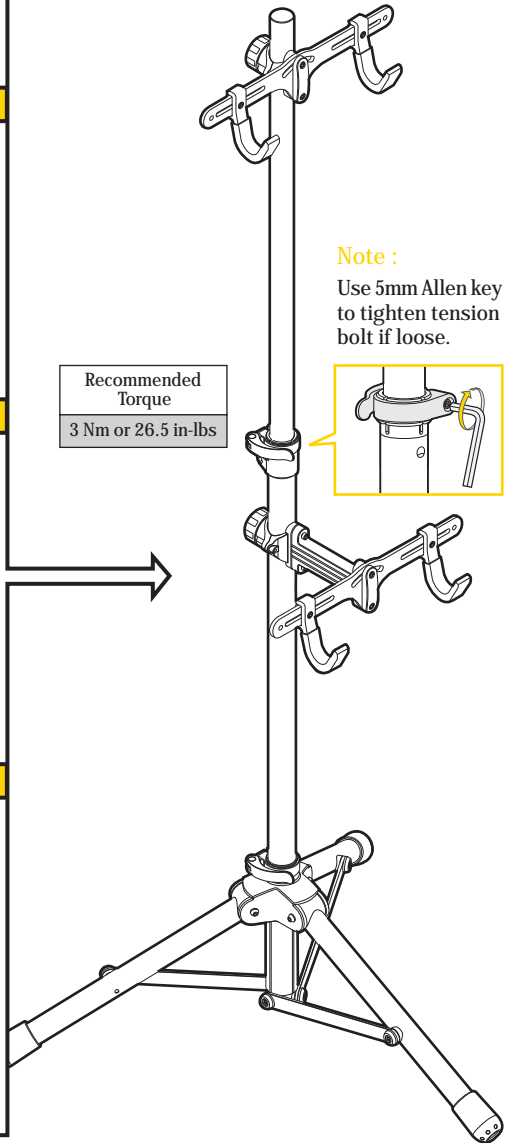
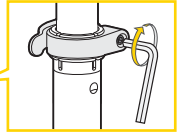
360° ROTATION



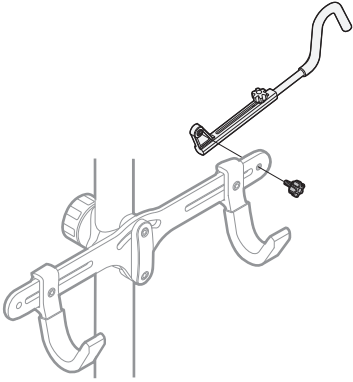
Recommended Torque
3 Nm or 26.5 in-lbs

Note :

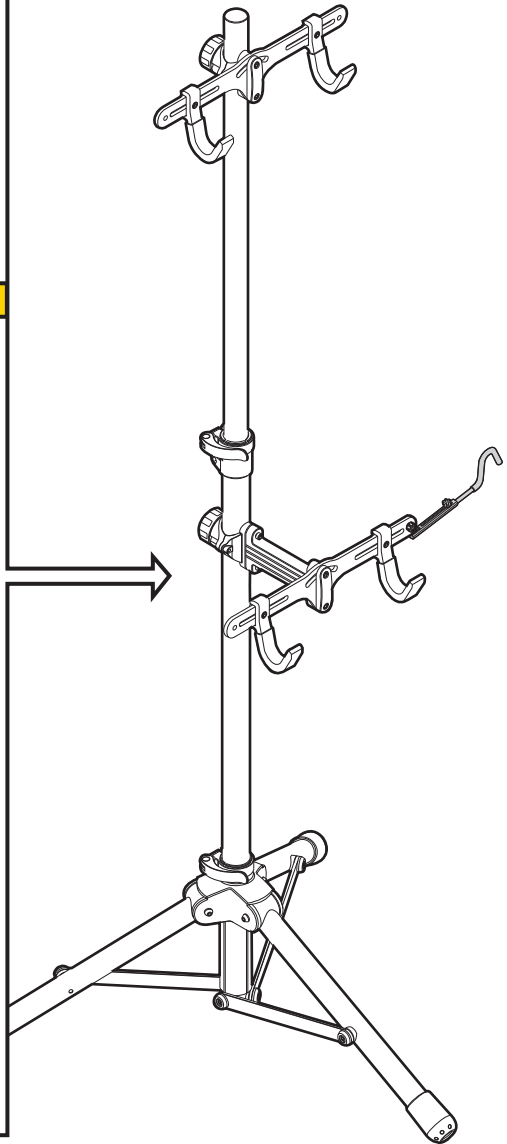
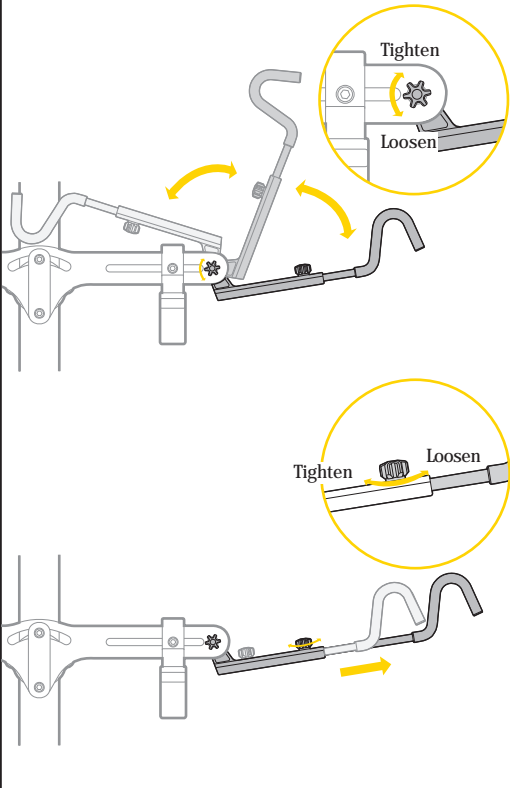
Use 5mm Allen key to tighten tension bolt if loose.



ASSEMBLING HANDLEBAR STABILIZER



ADJUSTING HANDLEBAR STABILIZER



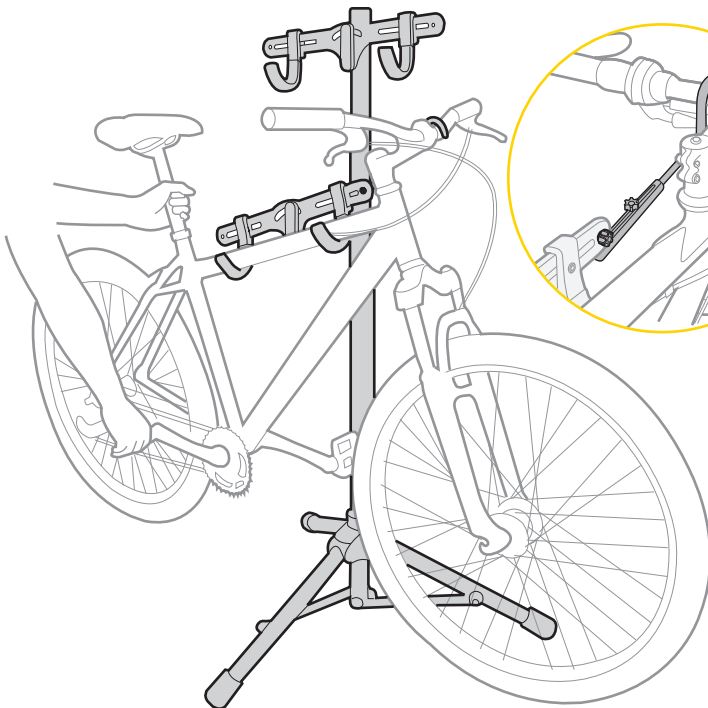
TUNE UP

TwoUp TuneUp can be used as a maintenance or storage bike stand. Never spin the rear wheel at high revolutions or apply your rear brake to a fast spinning wheel when your bike is installed on the TwoUp TuneUp bike stand. For added stability, it is recommended to use handlebar stabilizer and hold the handlebar or seatpost with one hand when rotating the pedals. Make sure the pedals do not interfere with the stand while spinning wheel.



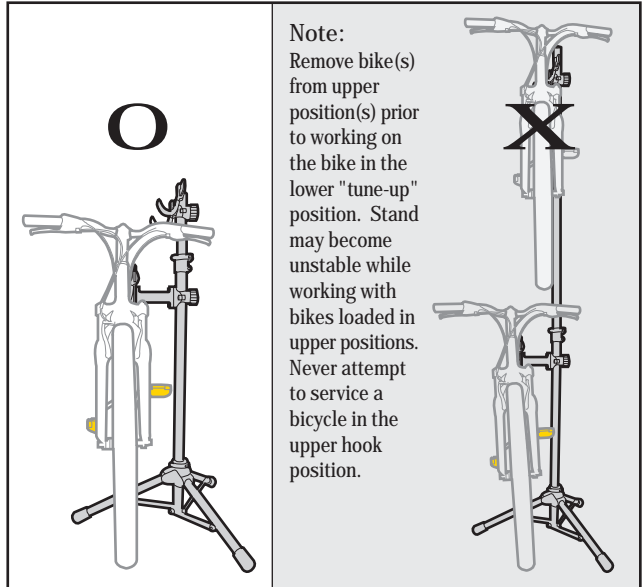
WARNING

The Extension Arm is designed for use only with the Topeak TwoUp TuneUp bike stand. Using the Extension Arm with any other Topeak stand products will void any warranty and cause unsafe conditions and potential bodily harm.



WARNING

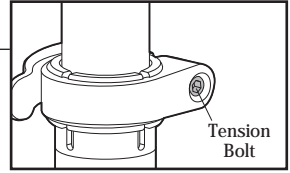
Always balance bike on its hook and make sure handlebar stabilizer is installed in correct position (perpendicular to handlebar). Incorrect position may cause damage to the handlebar stabilizer or your bike.



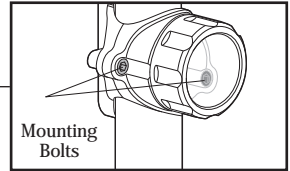
Note:
Remove bike(s) from upper position(s) prior to working on the bike in the lower "tune-up" position. Stand may become unstable while working with bikes loaded in upper positions. Never attempt to service a bicycle in the upper hook position.

! IMPORTANT

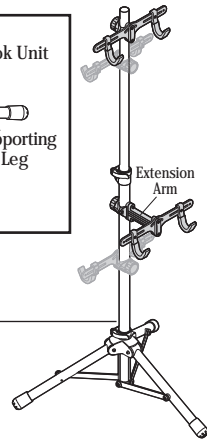
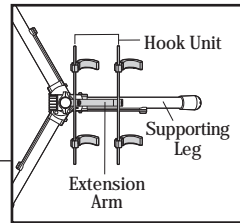
1. Always make sure main tube and extension tube are securely locked in place. Improper fastening may cause QR clamp lever and tension bolts to loosen resulting in collapse of stand.
2. Before placing bike(s) in TwoUp TuneUp bike stand, make sure the stand QR clamp levers are tightened.
3. Always balance bike on its hook and make sure handlebar stabilizer is installed in correct position (perpendicular to handlebar). Incorrect position may cause damage to the handlebar stabilizer or your bike.
4. Always remove bike(s) before breaking down the TwoUp TuneUp bike stand.
5. The adjusting knob should not be overtightened. If unable to loosen adjusting knob, loosen mounting bolts first, then loosen adjusting knob.
6. The maximum height of TwoUp TuneUp bike stand is 214 cm (7 ft - 1.5 in).
7. Maximum weight capacity per Hook Unit is 18 kilograms (39.7 lbs) and maximum weight capacity per stand is 72 kilograms (158.7 lbs).
8. The Extension Arm is designed for use only with the Topeak TwoUp TuneUp bike stand. Using the Extension Arm with any other Topeak stand products will void any warranty and cause unsafe conditions and potential bodily harm.
9. Always fully expand supporting legs for a stable foundation.
10. Position the extension arm parallel with one of the supporting legs for stability. Make sure the TwoUp TuneUp bike stand is balanced at all times to prevent personal injury and/or damage to bikes when hanging or removing bikes.
11. Two additional hook units can be mounted opposite to the extension arm and existing upper hook unit. Additional hook units are sold separately.



Use 5mm Allen key to tighten tension bolt if loose.

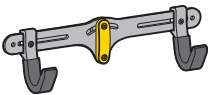


Use 5mm Allen key to loosen mounting bolts if adjusting knob is overtightened.



SPARE PARTS

Hook Unit



Art no. TW010-SP02 (for upper)
TW010-SP03 (for lower)

WARRANTY

2-year Warranty: All mechanical components against manufacturer defects only.

Warranty Claim Requirements

To obtain warranty service, you must have your original sales receipt. Items returned without a sales receipt will assume that the warranty begins on the date of manufacture. All warranties will be void if the product is damaged due to user crash, abuse, system alteration, modification, or used in any way not intended as described in this operating manual.

* The specifications and design are subject to change without notice.

Topeak products are available only from professional bicycle shops. Please contact your nearest Topeak authorized bicycle dealer for any questions. For customers in the USA, call: 1-800-250-3068 Website: www.topeak.com

Copyright © Topeak, Inc. 2009 M-TW010-GB 7/09